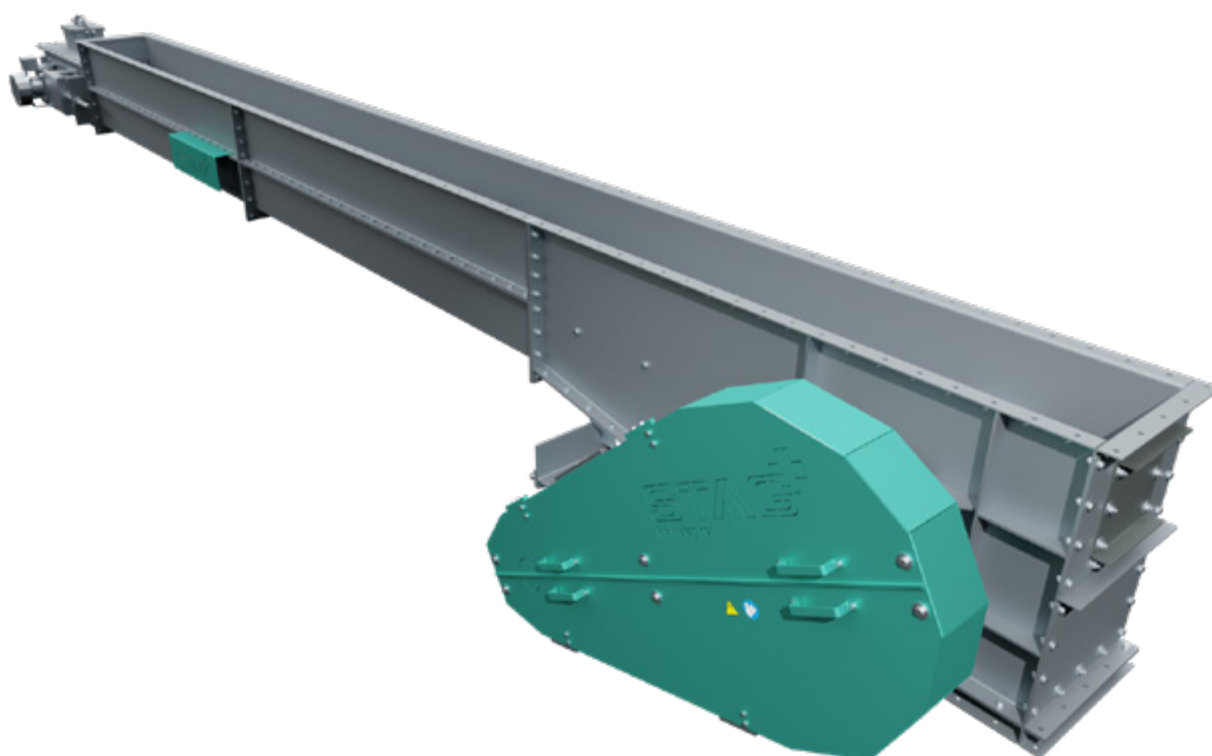


## Trough Chain Conveyor TKF-O

### Mechanical conveying of bulk materials

---



---

Trough Chain Conveyors are continuous conveyors and are suitable for transporting all types of bulk materials, including small-sized products and solid sludge. The advantages lie in the high temperature resistance, the low conveying speeds, especially with abrasive bulk materials and the robust and dust-tight design. The possible applications and design variants are very versatile. More than 500 units are currently in use at over 100 satisfied customers.



## Function

The functional principle is based on a conveyor chain with lateral bars as carriers, which moves a compact bed of bulk material in a trough in the conveying direction. A basic distinction is made between horizontal (0° to 30° inclination) and vertical (30° to 90° inclination) trough chain conveyors. The horizontal trough chain conveyor is supported by the bulk material mechanics. This enables a conveying volume that is several times the height of the conveyor chain. The vertical trough chain conveyor is a purely volumetric conveyor. It can transport the maximum amount of bulk material that is available as a free volume between the chain links. Further development of the housing design has optimized the service-friendliness of STAG trough chain conveyors.

---

## Experience

- Over 300 Trough Chain Conveyors built
- Over 40 units with bulk material temperatures of up to 800° C
- Over 30 pieces with sloping or vertical passages

## USPs

- Automatic thermal expansion compensation thanks to chain slack design
- Integrated clamping station for wear compensation
- Low-wear design in the high-temperature range
- External, dust and pressure-tight flange bearings

- Customized detailed solutions (Obertrum)
- Special pull-out conveyor for boiler 2/3 train MVA
- STAG Service Support

## Industries

- Waste-to-energy plants /thermal waste treatment
- Energy and power plant industry
- Cement industry, minerals and building materials
- Wastewater, sewage sludge and recycling
- Steel industry
- Numerous special solutions
- and many more

---

## Sectional view

